

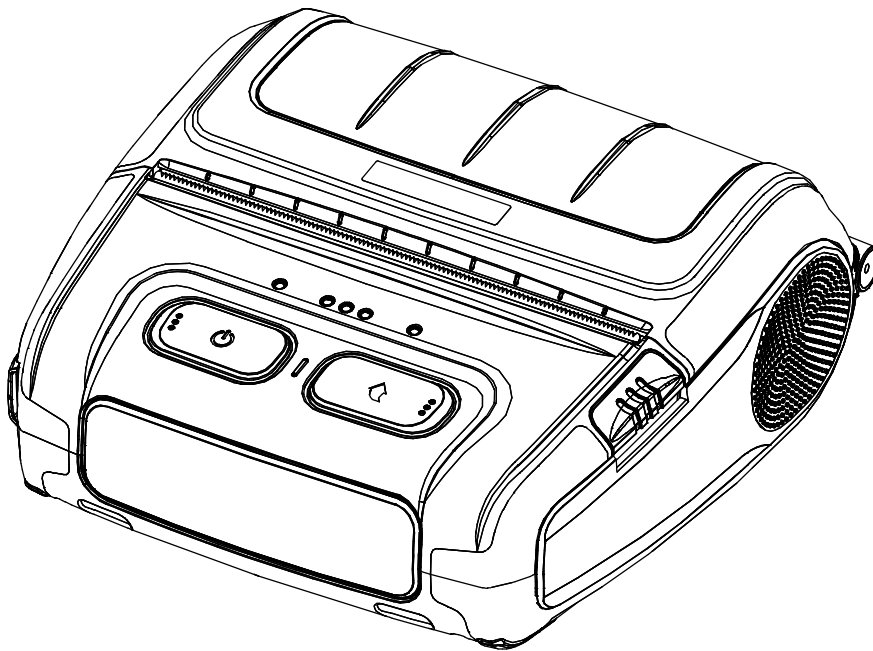
BIXOLON®

User's Manual

SPP-R410/L410

MOBILE PRINTER

Ver. 1.04



<http://www.bixolon.com>

■ Table of Contents

1. Content Confirmation..... 10

2. Product Part Names 11

3. Installation & Usage 12

 3-1 Battery Installation 12

 3-2 Battery Charging..... 12

 3-2-1 Using Battery Charger 12

 3-2-2 Using Single Battery Cradle (Optional)..... 13

 3-2-3 Using Vehicle Charger (Optional)..... 13

 3-2-4 Using Quad Battery Charger (Optional)..... 14

 3-3 Paper Installation 16

 3-4 Using Belt Clip..... 17

 3-5 Using Belt Strap (Optional) 18

 3-6 Using Control Panel 19

 3-7 Recommended Papers 20

4. Self-Test 21

5. Label Printing Function 23

 5-1 Label Function Setting 23

 5-2 Auto Calibration Function 23

6. Peripherals Connection..... 24

 6-1 Bluetooth & Wireless LAN Connection 24

 6-2 Interface Cable Connection..... 25

7. Printer Cleaning 26

8. Appendix 27

 8-1 Specifications..... 27

 8-2 Certification 29

 8-3 Label Types..... 31

■ Manual Information

This user's manual contains basic information for product usage as well as for emergency measures that may be required.

※ The following separate manuals provide more detailed content on various technological issues and areas.

1. Software Manual

This manuals provide information for development.
Please refer to each manual for more information.

- Windows Driver Manual
- OPOS Driver Manual
 - OPOS Installation manual
 - OPOS Setup Utility guide manual
 - OPOS Application programming guide manual
- JPOS Driver Manual
 - JPOS Installation and Configuration Utility guide manual
 - JPOS Application programming guide manual
- Windows SDK Manual
- Android SDK Manual
- iOS SDK Manual
- Unified Mobile Utility Manual
- Android Utility Manual
- Net Configuration Tool Manual

2. Bluetooth & Wireless LAN Manual

- Bluetooth
 - This manual describes how to connect terminals (PDAs, PCs, etc.) with Bluetooth functionality.
- Wireless LAN
 - This manual describes how to connect wireless LAN in infrastructure or ad-hoc mode.

3. Commands Manual

This manual provides information on the protocol and functions of the control commands that can be used with this product.

4. Code Pages Manual

This manual provides information on each character code page that can be used with this product.

We at BIXOLON maintain ongoing efforts to enhance and upgrade the functions and quality of all our products. In following, product specifications and/or user manual content may be changed without prior notice.

■ Safety Precautions

In using the present appliance, please keep the following safety regulations in order to prevent any hazard or material damage.



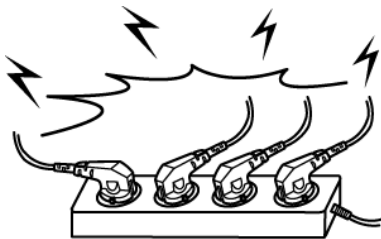
WARNING

Violating following instructions can cause serious injury or death.

Do not plug several products into one multi-outlet.

- This can provoke over-heating and a fire.
- If the plug is wet or dirty, dry or wipe it before usage.
- If the plug does not fit perfectly in the outlet, do not plug in.
- Be sure to use only standardized multi-outlets.

PROHIBIT



You must use only the supplied adapter.

- It is dangerous to use other adapters.

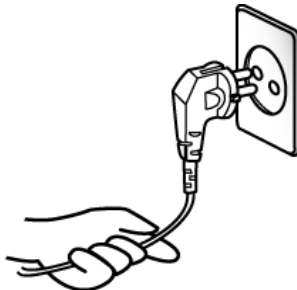
PROHIBIT



Do not pull the cable to unplug.

- This can damage the cable, which is the origin of a fire or a breakdown of the printer.

PROHIBIT



Keep the plastic bag out of children's reach.

- If not, a child may put the bag on his head.

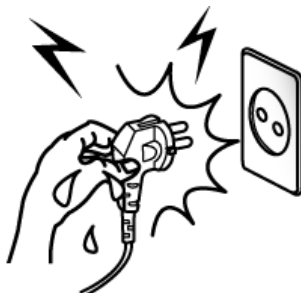
PROHIBIT



Do not plug in or unplug with your hands wet.

- You can be electrocuted.

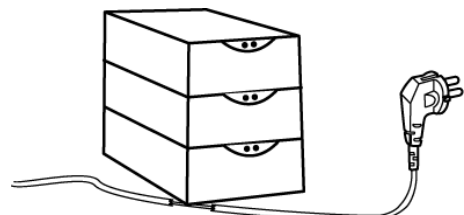
PROHIBIT



Do not bend the cable by force or leave it under any heavy object.

- A damaged cable can cause a fire.

PROHIBIT





CAUTION

Violating following instructions can cause slight wound or damage the appliance.

If you observe a strange smoke, odor or noise from the printer, unplug it before taking following measures.

- Switch off the printer and unplug the set from the mains.
- After the disappearance of the smoke, call your dealer to repair it.

TO UNPLUG



Keep the desiccant out of children's reach.

- If not, they may eat it.

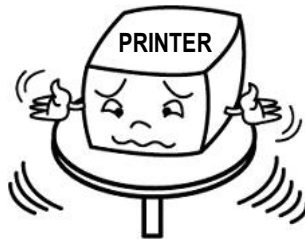
PROHIBIT



Install the printer on the stable surface.

- If the printer falls down, it can be broken and you can hurt yourself.

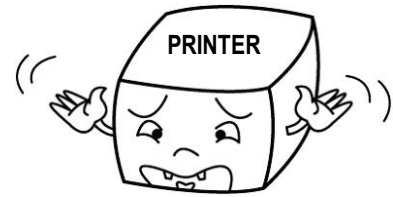
PROHIBIT



Use only approved accessories and do not try to disassemble, repair or remodel it for yourself.

- Call your dealer when you need these services.
- Do not touch the blade of the paper tear bar (or auto cutter).

DISASSEMBLING PROHIBITED



Do not let water or other foreign objects in the printer.

- If this happened, switch off and unplug the printer before calling your dealer.

PROHIBIT



Do not use the printer when it is out of order. This can cause a fire or an electrocution.

- Switch off and unplug the printer before calling your dealer.

TO UNPLUG



■ Battery Safety Precautions

Make sure to review the user manual carefully prior to product use.

Neglecting to heed the following instructions can result in battery overheating, combustion, explosion, damage and/or decline in performance and product life.

⚠ Danger

1. Do not allow water, seawater or moisture to enter or leak into the battery. If the safety mechanism within the battery becomes oxidized, the battery may overcharge with abnormal electrical current and/or voltage so that it may overheat, ignite and/or explode.
2. Do not place the battery near open flames or heating devices, such as stoves. Exposure to excessive heat may cause damage to the resin case and/or insulating materials, thus causing a short circuit within the battery that may result in battery overheating, combustion, and/or explosion.
3. Charge the battery only with the exclusive charger specified (optionally provided) by BIXOLON. The use of an incorrect charger may result in overheating, combustion and/or explosion of the battery.
4. Charging the battery with a modified charger may result in overheating, combustion and/or explosion of the battery by abnormal chemical reaction caused by incorrect polarity.
5. Do not directly connect the battery to an electrical power outlet not specified by BIXOLON or an automobile's cigarette lighter jack. Doing so may result in overheating, combustion and/or explosion of the battery by over-current and/or over-voltage.
6. Do not heat the battery or place it near a fire. Doing so may melt insulation materials, damage the safety mechanism/equipment, and/or ignite the electrolytic solution. There is a potential risk of battery overheating, combustion, and/or explosion.
7. Do not reverse the connection of (+) and (-) electrodes of the battery. Charging the battery in reverse polarity may produce an undesired chemical reaction inside the battery cell, causing unexpected behavior during discharging such as overheating, explosion, or fire.
8. Do not allow the battery's (+) or (-) pole to come into contact with any metal. In addition, do not carry or store the battery with metallic items, such as necklaces and hairpins. Doing so may cause a short circuit of the battery generating an over-current. There is the potential risk to overheat, ignite and/or explode the battery or overheat the metallic items, such as necklaces, hair pins etc.
9. Do not throw the battery or subject it to strong shock. If the safety mechanism in the battery is damaged, the battery may be overcharged and, consequently, an adverse chemical reaction may be generated in the battery. There is a potential risk of battery overheating, combustion, and/or explosion.

10. Do not pierce the battery with a pointed object, such as nail or awl, or strike with a heavy object, such as a hammer, and take care not to step on the battery. There is a potential risk of battery overheating, combustion, and/or explosion caused by an internal short circuit.
11. Do not solder the battery directly. Doing so may melt the insulating materials and/or damage the safety mechanism or safety equipment, resulting in battery overheating, combustion, and/or explosion.
12. Do not disassemble and/or modify the battery. The battery contains safety equipment and a safety mechanism to prevent danger. There is a potential risk of overheating, combustion, and/or explosion caused by disassembly.
13. Do not charge the battery near open flames and/or under direct sunlight. Because exposure to high temperatures triggers the operation of the safety mechanism, the battery may not charge or may overcharge due to destruction of the safety mechanism. There is a potential risk of overheating, combustion, and/or explosion.
14. Do not expose the battery to high temperatures over 60°C, and do not use or store it in a hot or humid place.
15. Do not use the battery if it is damaged or the exterior is deformed due to external shock or if it is swollen.

 Warning

1. Do not place the battery within the reach of small children to prevent any swallowing accidents. If a small child has swallowed the battery, consult a physician immediately.
2. Do not place the battery in a microwave oven and/or high voltage appliance. Doing so can cause rapid overheating and/or destruction of the sealing, resulting in battery overheating, combustion, and/or explosion.
3. Do not combine and use any battery of different capacity and/or type with the primary battery. Doing so can cause excessive electrical discharge during use or excessive charging during charging, resulting in an abnormal chemical reaction within the battery that can cause battery overheating, combustion, and/or explosion.
4. If during battery usage, storage, or charging, a strange odor or conditions differing from the normal, such as overheating, color changes, warping, etc., are detected, remove the battery from the product or charger and discontinue use. Continued use may cause battery overheating, combustion, and/or explosion.
5. When recharging, if the battery is not charged after the normal fixed charging time, discontinue charging. Continued charging can result in battery overheating, combustion, and/or explosion.
6. If the battery appears to be coated with condensation or emits a strange odor, immediately place it far away from any heat source. The condensation may be caused by a leak of electrolytic solution that can ignite to cause battery combustion and/or explosion.
7. If the battery is leaking electrolytic solution and any of the solution enters the eyes, immediately wash out with clean water, and then consult a physician to receive treatment. Neglecting to do so can cause permanent eye injuries.

⚠ Caution

1. Do not use or leave the battery in a location exposed to high temperatures or intense direct sunlight, such as within an automobile. Doing so can cause battery overheating and/or combustion. In addition, battery performance and product life may be reduced.
2. The battery contains a safety mechanism to prevent danger. Do not use the battery in a location that is prone to static electricity (above the amount covered by the manufacturer's product warranty) that can cause damage to this safety mechanism. Damage to the safety mechanism can result in battery overheating, combustion, and/or explosion.
3. The temperature ranges for battery usage are as follows. Any usage outside of these ranges can result in battery overheating and/or damage. In addition, battery performance and product life may be reduced.
 - Charging: 0 ~ 40 °C
 - Product Usage: -20 ~ 60 °C
 - Storage: -20 ~ 60 °C (30 days)
 - Long-Term Storage: -20 ~ 40 °C (90 days)
4. Please review the exclusive charger manual carefully for charging instructions.
5. If you observe any abnormal symptom, such as strange smell and overheating, on first use after purchasing the product, contact your local dealer immediately.
6. If a child must use the battery, the child's parent or legal guardian should clearly explain the instructions from the user manual prior to use. In addition, the parent or legal guardian should periodically confirm that usage is being conducted in accordance with user manual instruction during use.
7. Store the battery in a location that is out of the reach of small children. During usage, make sure to also place the charger and/or product out of the reach of small children.
8. If the battery is leaking electrolytic solution, and the solution comes in contact with the skin or clothing, immediately wash thoroughly with clean water. Contact with skin can result in skin disorders.
9. Make sure to review the user manual and precautions carefully prior to use. In addition, after carefully reviewing the user manual and precautions, place them in a secure location for future reference when needed.
10. There is a risk of explosion when replacing with an incorrect battery. Only exchange it for another one of the same or equivalent model specified by BIXOLON. Insulate the used battery by attaching insulation tape to its port, and then dispose of the battery according to local regulations.
11. If using the printed side of preprinted paper, this may cause malfunction.

⚠ Recommended

1. Review the user manual for instructions concerning insertion/removal of batteries into/from the product.
2. The battery shipped with the product is partially charged, and it is good for checking the operation of the equipment. Charge the battery first with the supplied charger if the equipment does not work or long hours of operation are required.
3. To avoid improper use of the battery, review the product user manual carefully.
4. Do not charge the battery for long times in excess of the normal charging time indicated in the user manual.
5. If the battery is not to be used for a long period of time, remove it from the product and store in a location with low humidity. If the battery is stored while still inserted in the product in a highly humid location, oxidization may occur along with a decline in battery performance.
6. Turn off the power after using the equipment. Otherwise the performance of the battery will be degraded over time.
7. The battery may fail to charge if it is not used for a long period of time. Charge the battery with the supplied charger at least once every six months if the equipment is not used for a long time. Leaving the battery for a long time without charging may degrade the performance of the battery or cause system trouble.
8. If the battery terminal is contaminated, clean the contact with a dry cloth before using it. Using the battery with contaminated contacts may cause problems when supplying power to the equipment or charging due to irregular electric contact.
9. Each battery has a life cycle. If the usage time of the produce is shortened, replace with a new battery. Insulate the used battery by attaching insulation tape to its port, and then dispose of the battery according to local regulations.

■ Other Precautions

The copyright for this user manual and various other manuals is property of the BIXOLON Co., Ltd. Any copying or conversion into electronic form and saving of this material without the express written permission of BIXOLON Co., Ltd. is strictly prohibited.

Use of the information contained in this manual is not subject to any patent liability. This manual has been prepared with utmost care and attention to detail but may contain certain errors and/or omissions.

BIXOLON Co., Ltd. is not legally liable for any damages resulting from the use of the information in this manual.

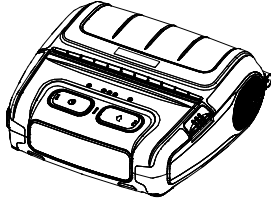
BIXOLON Co., Ltd. and its affiliates are not legally liable for any damages, loss, costs, and/or expenses that result from the breakdown, malfunction, and/or misuse of the product due to violation or neglect of the operation and maintenance information and instructions provided by the BIXOLON Co., Ltd., as well as from the unauthorized alteration, repair, and/or modification of the product by the user and/or third party.

BIXOLON Co., Ltd. is not legally liable for any damages and/or issues resulting from the use of options and/or parts that are not authentic BIXOLON products or authorized products.

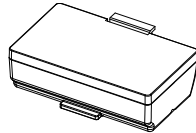
1. Content Confirmation

The following items should all be contained in the printer package. Contact the dealer from which the purchase was made if any item is damaged and/or missing.

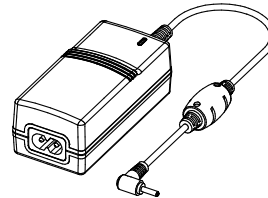
※ Basic items



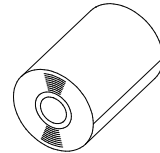
SPP-R410/L410



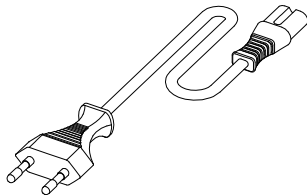
Battery Pack



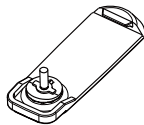
Battery Charger



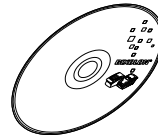
**Paper
(SPP-R410)**



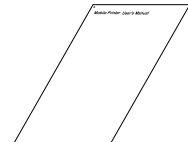
Power Cord



Belt Clip

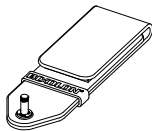


CD

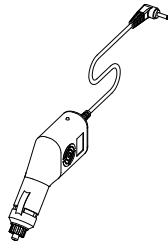


Installation Guide

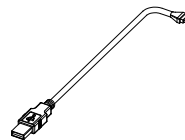
※ Optional items



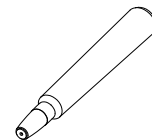
Belt Strap



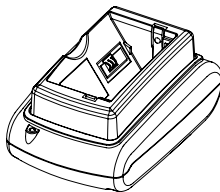
Vehicle Charger



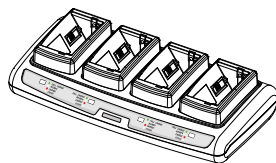
Interface Cable



Cleaning Pen



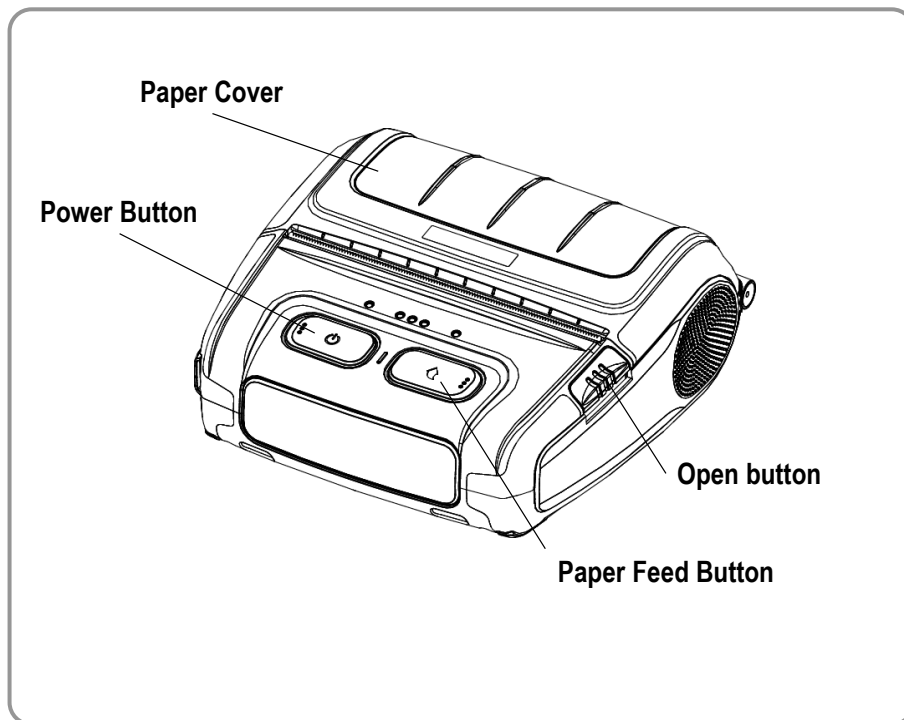
**Single Battery
Cradle**



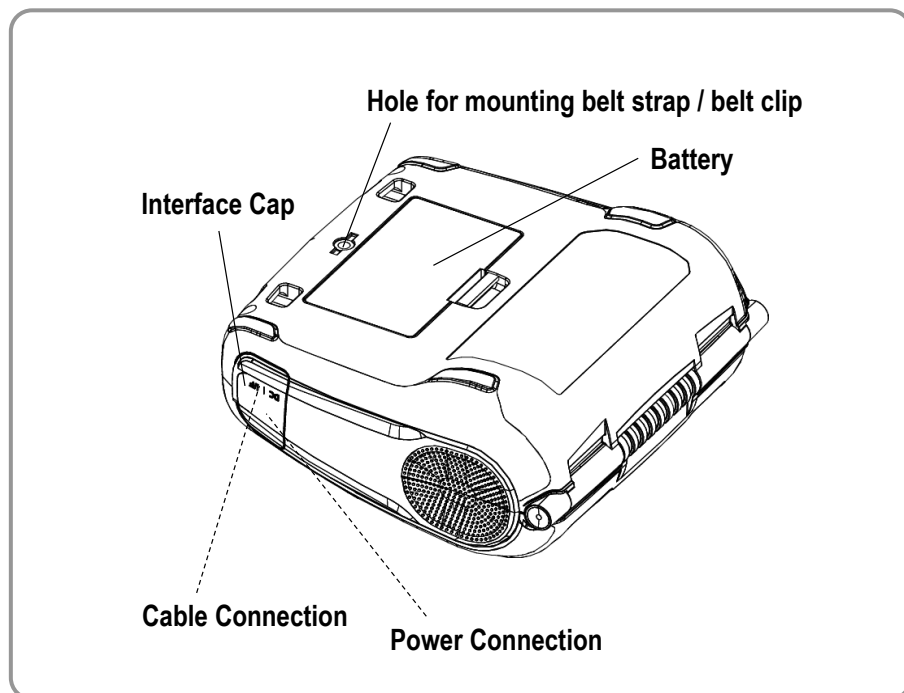
**Quad Battery
Charger**

2. Product Part Names

• Front

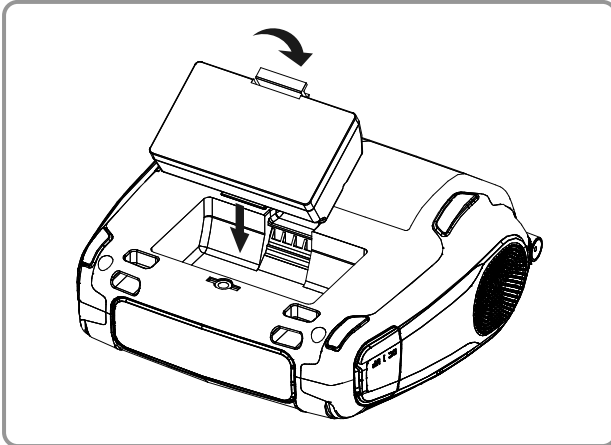


• Rear



3. Installation & Usage

3-1 Battery Installation



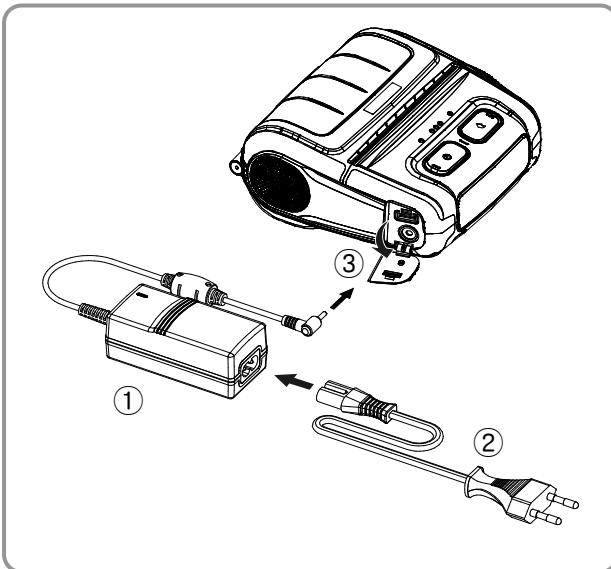
- 1) Insert the battery in the bottom of the printer, and ensure that you align the battery hook properly.
- 2) Push the battery into the slot until you hear it snap in place.

 **NOTE**

Since the battery is partially charged at the time of purchase, charge the battery prior to product use. (Use the battery)

3-2 Battery Charging

3-2-1 Using Battery Charger



- 1) Turn off the printer power.
- 2) Connect the power cord ② to the battery charger ①, and then connect AC power.
- 3) Open the external interface cap in the direction of ③.
- 4) Connect the battery charger to the power connector.

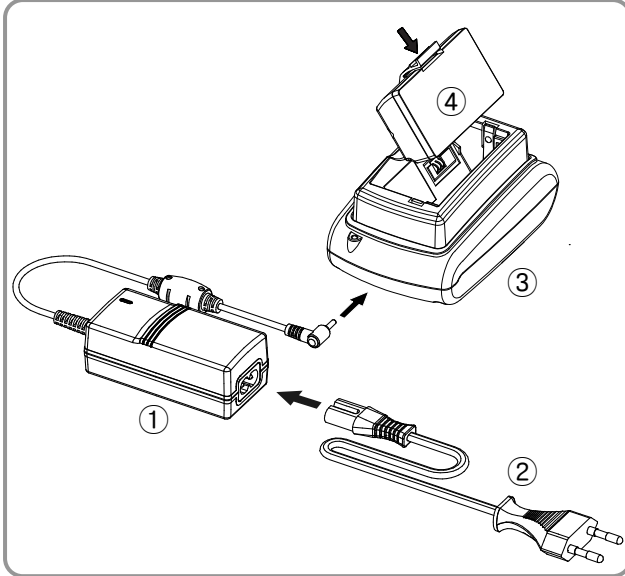
 **CAUTION**

The printer may incur serious damage if the battery charger provided by BIXOLON is not used. BIXOLON is not legally liable for any such damages. (The voltage and electrical current specifications of the printer and battery charger must match.)

 **WARNING**

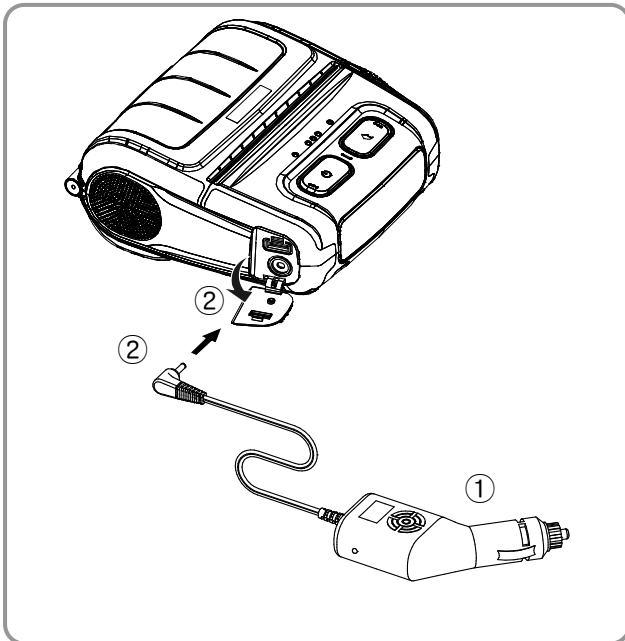
Turn off the power before charging the battery for the printer.

3-2-2 Using Single Battery Cradle (Optional)



- 1) Connect the power cord ② to the battery charger ①.
- 2) Connect the battery charger ① to the power connector of the single battery cradle ③.
- 3) Plug the power cord ② into an electrical outlet.
- 4) Insert the battery ④ into the single battery cradle ③ a snapping sound is heard.

3-2-3 Using Vehicle Charger (Optional)



- 1) Turn off the power to the printer.
- 2) Connect the Vehicle Charger ① to your car's cigarette lighter jack.
- 3) Open the external interface protection cap in the direction of ②.
- 4) Connect the Vehicle Charger to the power connector.

⚠ CAUTION

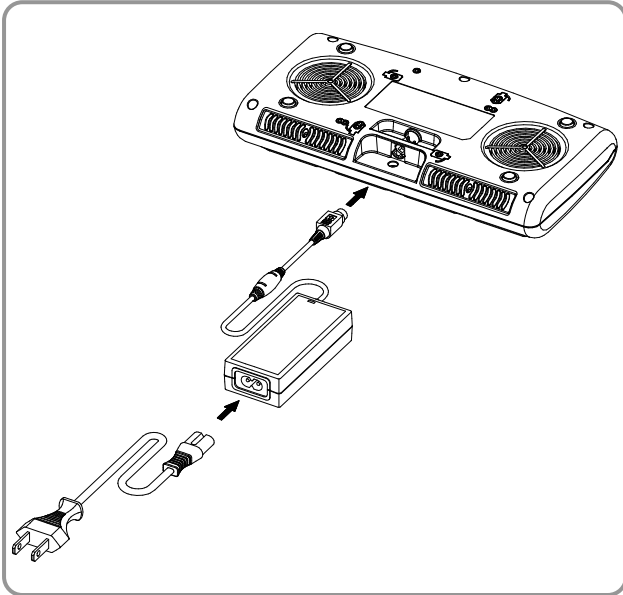
The printer may be seriously damaged if a battery charger not provided by BIXOLON is used. BIXOLON is not liable for such damage.

⚠ WARNING

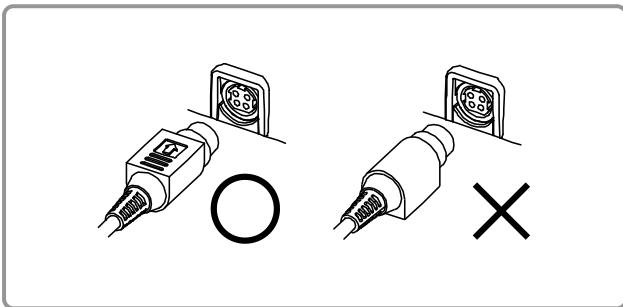
Turn off the power before charging the battery for the printer.

3-2-4 Using Quad Battery Charger (Optional)

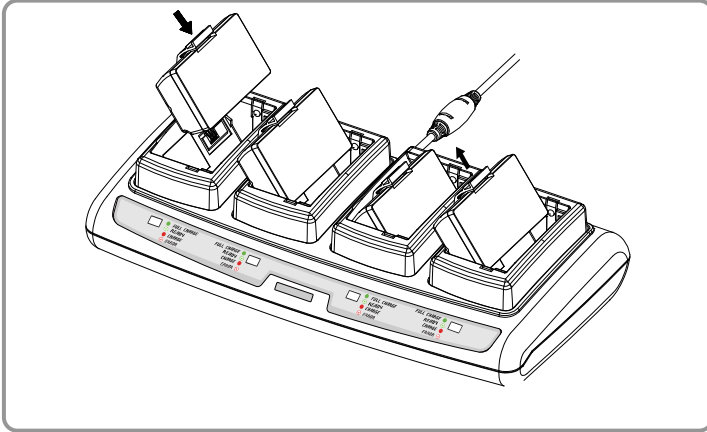
3-2-4-1 Connecting the cables



- 1) Connect the power cord to the adaptor, and Connect the adaptor to the power connector of the quad battery charger.
- 2) Plug the power cord into a power Outlet. Input power is 100 ~ 240VAC, 50/60Hz, 1.0A.
- 3) When the power is supplied, the yellow, green and red LEDs are on for three seconds and do the self-test.



⚠ WARNING
Use only designated AC/DC adaptor.
(12VDC, 3A)

3-2-4-2 Charging Battery (Printer)

- 1) Insert the battery into the Quad charger as shown in the figure on the left.
- 2) Gently slide the battery until it reaches the bottom of the charger.
- 3) Charging starts as soon as the battery is completely inserted.
- 4) After charging, remove the battery from the Quad charger.

 **NOTE**

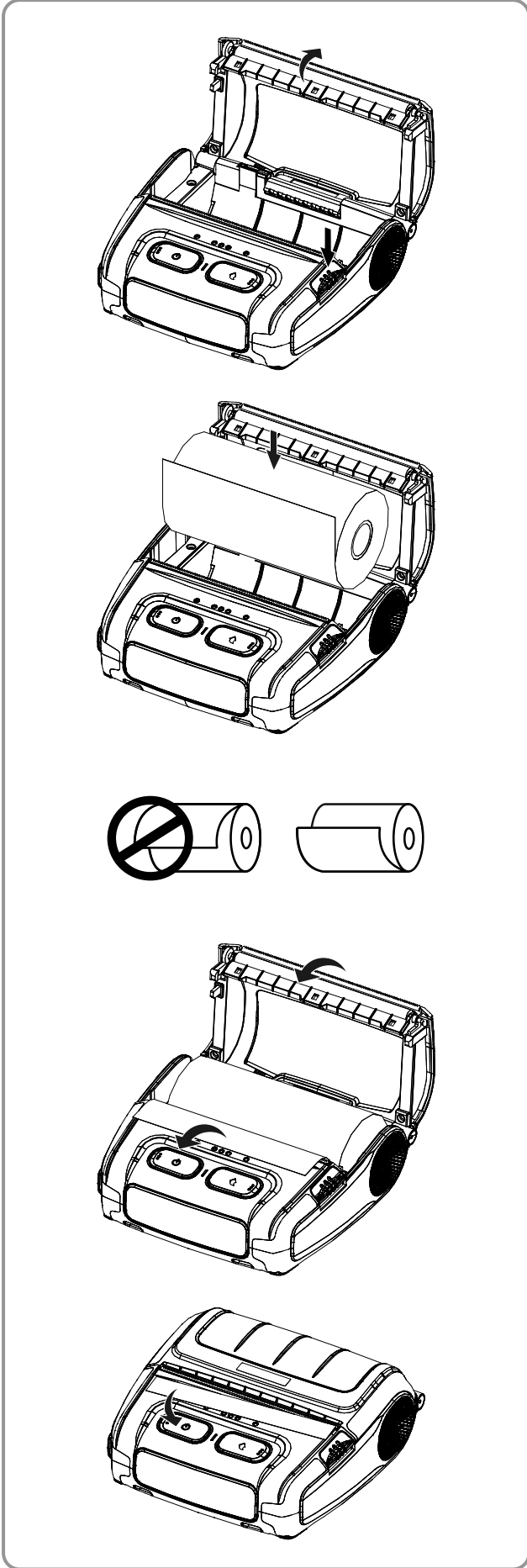
Battery charging status descriptions are as follows.

LED	Charge Status	Charge Time
Red LED On	Charging	4 hours
Green LED Blinking	Over 80% Charged	
Green LED On	Fully Charged	
Red LED Blinking	Error Replace or Reinstall Battery	

 **CAUTION**

1. If the red lamp of the Battery Charger blinks, install the battery again.
2. If the red lamp continues to blink despite several attempts (4 ~ 5 times) to install the battery, contact your local dealer.
3. The charging time may vary depending on the type of the charger or ambient temperature.

3-3 Paper Installation



1) Press the Open button to open the paper cover.

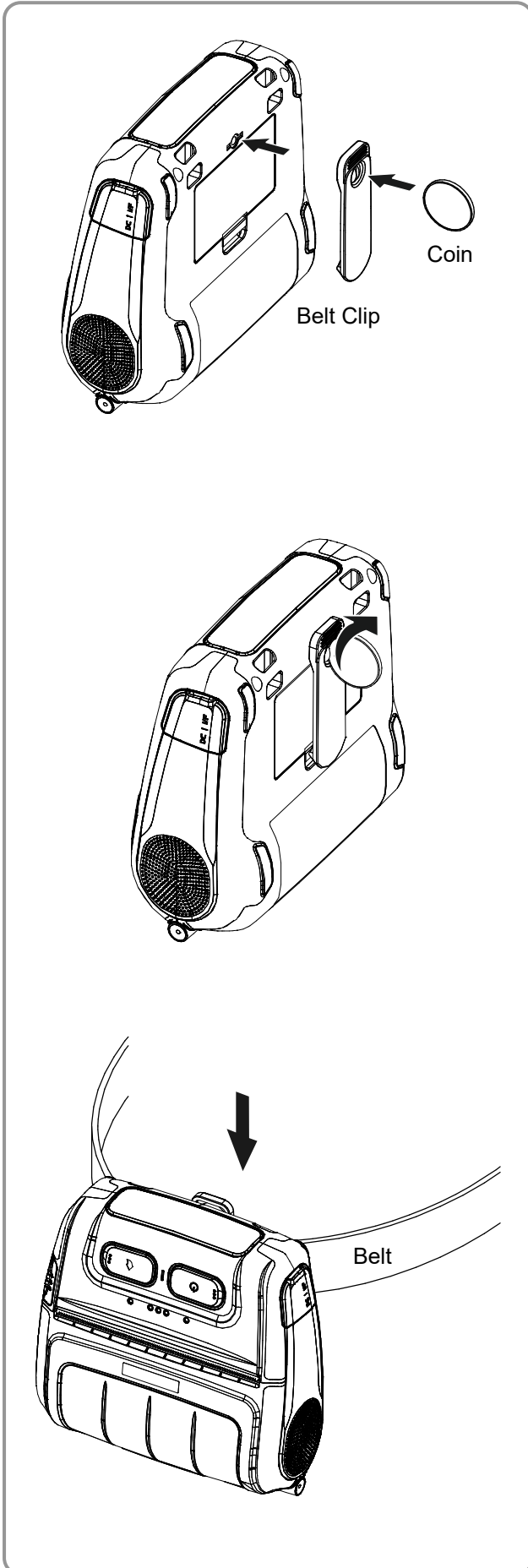
2) Insert the paper as shown.
(Remove the empty core.)

3) Align the paper as shown.

4) Pull out the paper as shown and close the paper cover.

5) Tear off any excess paper toward the side of the printer.

3-4 Using Belt Clip

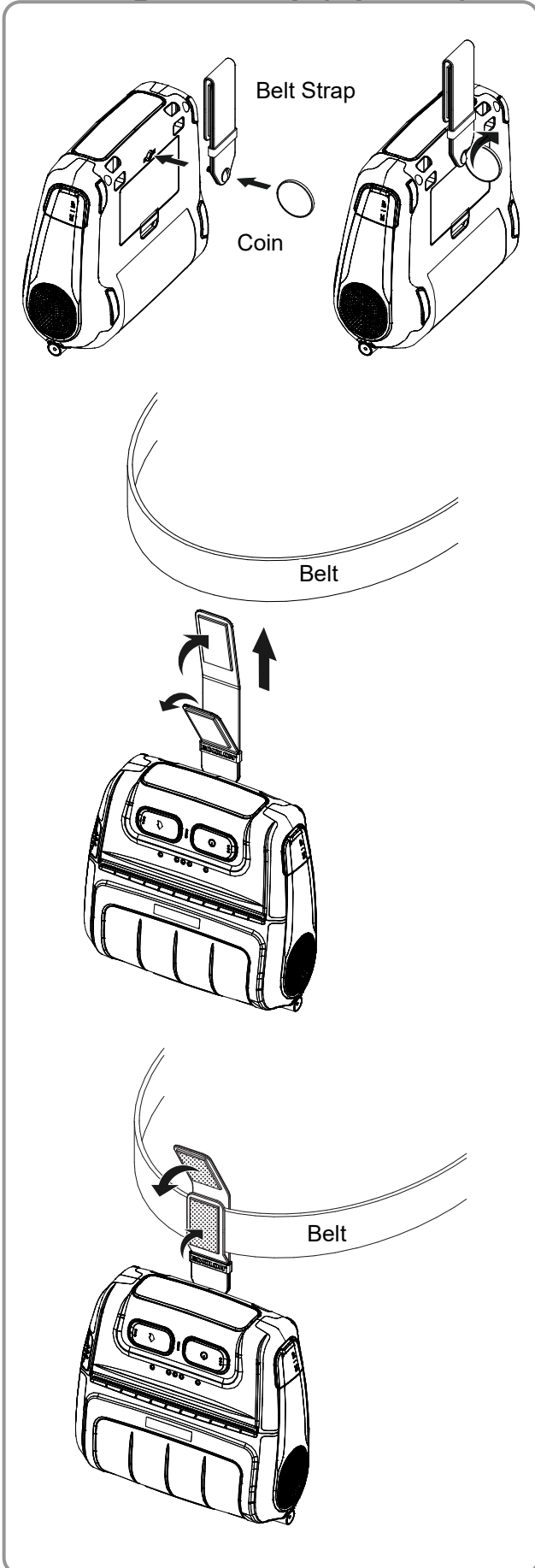


1) Insert the belt clip screw to the belt clip mounting hole.

2) Tighten the screw of the belt clip with an object like a coin as shown. (Be careful to tighten the screw in the correct direction.)

3) Slide the clip over the belt.

3-5 Using Belt Strap (Optional)



1) Insert the belt strap screw into the belt strap hole.

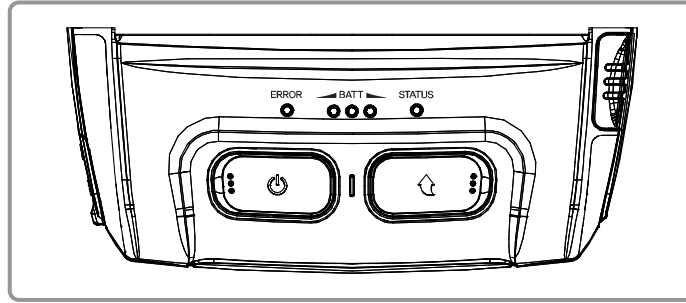
2) Use a coin to tighten the belt strap screw as shown in the image.

3) Unfasten the belt strap Velcro.

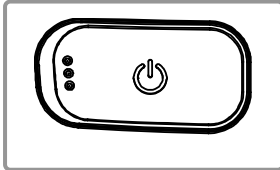
4) Slide the belt strap over a belt.

5) Close the Velcro as shown in the image.

3-6 Using Control Panel



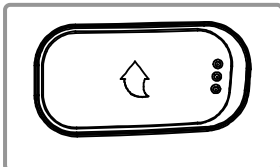
• Power Button



This button is used to turn the printer on and off.

- 1) When the printer is off, press this button for approximately 2 seconds to turn on the power.
- 2) When the printer is on, press this button for approximately 2 seconds to turn off the power.

• Paper Feed Button

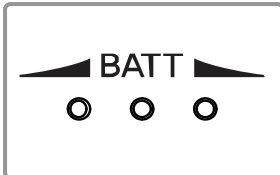


To feed paper manually, press this button.

In addition, self-testing and Hexadecimal Dumping can be done.

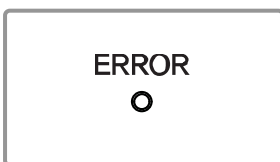
- 1) Refer to “4. Self-Test” for self-test information.
- 2) Refer to the service manual regarding Hexadecimal Dumping.

• Battery Status LED (Blue or Red)



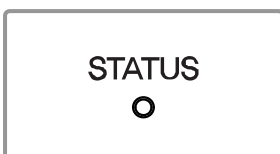
- 1) If three blue LEDs are lit, the battery is fully charged.
- 2) If two blue LEDs are lit, the battery is half charged.
- 3) If one blue LED is lit, the battery is at the lowest charge level.
- 4) If the red LED is lit, the battery must be charged or replaced.

• Error LED (Left-sided)



- 1) If the red LED is lit, the paper cover is open.
- 2) If the red LED is blinking, either the paper has been fully used or the print head is overheated.
(Replace the roll of paper or turn off the printer for at least 10 minutes.)
- 3) If the red LED continues to blink, it may indicate a more serious problem with the product. Call your authorized service dealer.

• Bluetooth & Wireless LAN LED (Right-sided)



- 1) When using Bluetooth
If the printer is ready for wireless communication with any Bluetooth, the green LED as well as the battery status LED is turned on.
- 2) When using wireless LAN
The right indicator shows the signal strength from wireless LAN. The green LED blinks for acceptable signal strength while the green LED blinks for weak signal strength.
 - In power save mode, only the Status LED is lit.

3-7 Recommended Papers

- Receipt paper
 - TF50KS-E (Paper Thickness: 65µm): Nippon Paper Industries Co., Ltd.
 - PD 150R (Paper Thickness: 75µm): New Oji Paper Mfg. Co., Ltd.
 - PD 160R (Paper Thickness: 75µm): New Oji Paper Mfg. Co., Ltd.
 - P350 (Paper Thickness: 62µm): Kansaki Specialty Paper, Inc. (USA)
 - P220AG (Paper Thickness: 65µm): Mitsubishi Paper Mills Limited
 - P220A (Paper Thickness: 65µm): Mitsubishi Paper Mills Limited
 - F5041 (Paper Thickness: 65µm): Mitsubishi HitecPaper Flensburg GmbH
 - P5047 (Paper Thickness: 60µm): Mitsubishi Paper Mills Limited

- Linerless paper: T6087 (Paper Thickness 76µm), Blumberg GmbH & Co. KG

4. Self-Test

Run the self-test when you set the printer or when you encounter a problem, and check the following.

- Control Circuit, Mechanisms, Print Quality, ROM Version, and Memory Switch Settings

If no issue is found with the printer after running the self-test, examine the other devices or peripherals and software. This function is independent of such other devices and software.


• Self-Test Instructions

- 1) Turn the printer power off and close the printer paper cover.
- 2) Press and hold the paper feed button and power button simultaneously to turn on the printer.
- 3) After printing begins, release the two buttons.
- 4) After the information is printed out, the self test is automatically terminated

• Self-Test Sample (SPP-L410)

BIXOLON SPP-L410 CONFIGURATION	
FIRMWARE VERSION :	V01.00 STD 010119
EMULATION :	SLCS & BPL-Z & BPL-C
PRINT DARKNESS :	10/30
PRINT SPEED :	4 IPS
TEAR OFF VALUE :	+000 DOT
TEAR OPTION :	TEAR-OFF
PRINT OFFSET :	+0000 DOT
POWER-UP ACTION :	NO ACTION
MEDIA TYPE :	BLACKMARK PAPER(REAR)
SENSOR TYPE :	REAR REFLECT
PRINT METHOD :	DIRECT THERMAL
LABEL LENGTH :	1013 DOT
LABEL WIDTH :	832 DOT
BAUD RATE :	115200
PARITY :	NONE
DATA BIT(S) :	8
STOP BIT(S) :	1
HAND SHAKING :	HARDWARE
USB SERIAL NUMBER :	0000000000001
BPL-Z CODEPAGE :	CP-850(SBE, USA-1 CHARSET)
SLCS CODEPAGE :	WCP1252-LATIN1
SLCS ICS :	U.S.A

CONFIGURATION CONTROL STATUS	
PRINT SPEED :	COMMAND
PRINT DARKNESS :	COMMAND
PRINT WIDTH :	COMMAND
PRINT OFFSET :	COMMAND
TEAR OFF :	COMMAND
MEDIA TYPE :	COMMAND
LANGUAGE :	COMMAND

RF INTERFACE STATUS (BT)	
BLUETOOTH F/W VER :	2.0.5
MAC ADDRESS :	
	
74F07DE3D121	
FRIENDLY NAME :	SPP-L410
MODE :	CLASSIC
AUTH & ENCRYPT :	ENABLED
CONNECTION MODE :	2

5. Label Printing Function

5-1 Label Function Setting

Label paper and black mark paper available at the label mode.

The SPP-R410 is set to receipt mode and the SPP-L410 is set to label mode by default.

• How to set label mode and receipt mode

- 1) Turn on the printer power.
- 2) Open the paper cover and press and hold down the paper feed button for longer than two seconds.
- 3) After the buzzer tone is emitted, insert paper and close the cover.
- 4) Repeat the steps above to return to receipt mode.

* SPP-L410 prints out the following message when switching to Label Mode.

- Gap mode : FEED button
- BlackMark mode : POWER button

Press the FEED button to switch to gap mode, and press the Power button to switch to black mark mode. The SPP-R410 automatically sets itself according to the position of the sensor built into the printer.

• Setting via Utility

SPP-R410 can be set in Unified Utility and SPP-L410 can be set in Unified Label Utility

5-2 Auto Calibration Function

The label printing function requires the recognition of label paper gaps and black mark paper black bar in order to print.

If label paper is not properly recognized, use the auto calibration function below.

• SPP-R410 Auto Calibration

- 1) Turn the printer power off while in label mode.
- 2) Press and hold down the paper feed button and then press the power button.
- 3) After the following printout is outputted, press the power button to perform auto calibration.

Select the mode
Auto Calibration: Power Button
Self Test: Feed Button

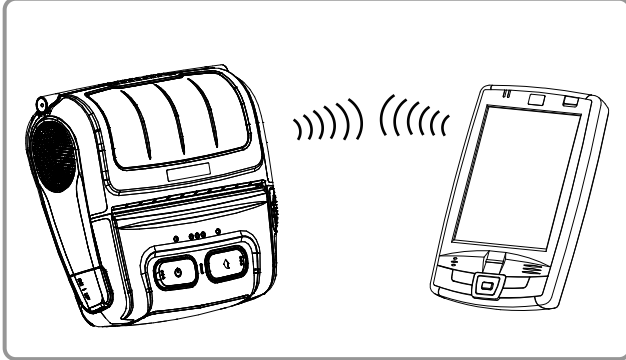
• SPP-L410 Auto Calibration

- 1) Load paper and press the FEED button to automatically detect the paper.
- 2) In continuous mode, the paper feed operation is not performed to recognize label paper. Please refer to 5-1 for switching to label mode.
- 3) If the printer setting is set to Black Mark, Gap paper recognition is not possible.
Refer to 5-1 or change the sensor type using Unified Utility.

6. Peripherals Connection

This product can communicate with other devices via Bluetooth, Wireless LAN communication and cable.

6-1 Bluetooth & Wireless LAN Connection



1) The printer can connect to devices equipped with Bluetooth communication capability. Make sure your printer is on and discoverable.

2) Use the Bluetooth connection function supported by the device to connect to the printer.

The NFC tag built into the printer enables automatic pairing with devices.

 **NOTE**

Tap your host device to logo on the side of the printer for NFC auto pairing



 **NOTE**

The device must support NFC Auto Pairing.

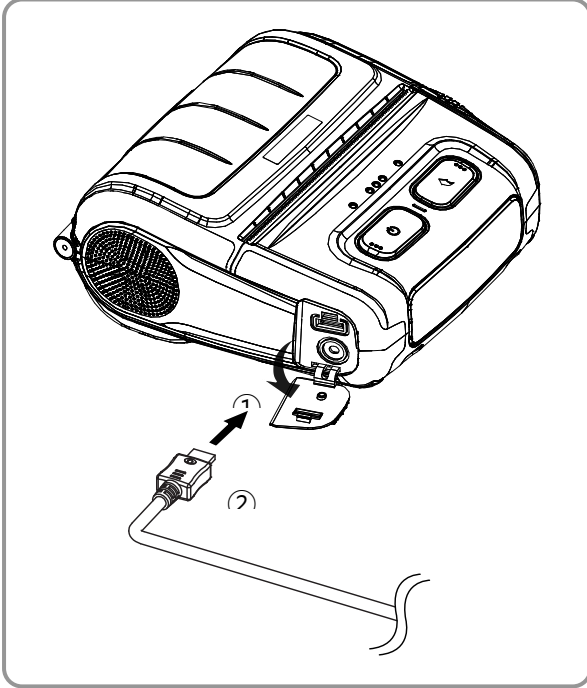
It may display a message that the device cannot be connected as NFC Auto Pairing is supported up to the Bluetooth pairing and the devices must be connected manually, but this is normal.

3) The printer can be connected to other stations supporting wireless LAN communication in Ad-hoc/Soft AP mode and AP in Infrastructure mode.

 **NOTE**

Refer to the Bluetooth, WLAN Manual for detailed information on its connection. You can check the bluetooth environment (authentication, encryption, connection mode) and the wireless LAN environment (IP, SSID, authentication, encryption) via the self-test page

6-2 Interface Cable Connection



- 1) Open the Interface Cap ①.
- 2) Connect the external communication cable (optional) ② to the cable connector of the printer.

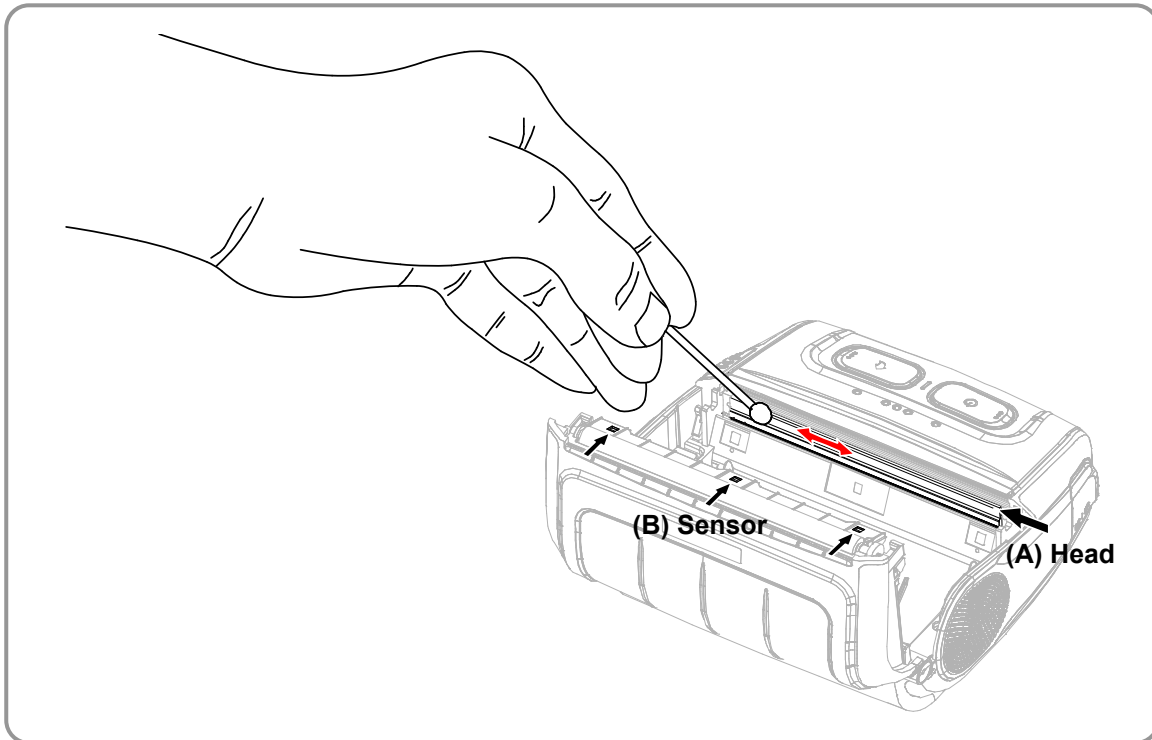
NOTE
Use only the cables (optional) provided by BIXOLON.

- 3) Connect the interface cable to the USB port of the device (PDAs, PCs, etc.).

NOTE
The interface cable that can be connected with the printer is available in both USB and Serial type. Refer to the service manual for detailed interface cable specifications.

7. Printer Cleaning

If the interior of the printer is dusty, print quality can decline.
In such a case, follow the instructions below to clean the printer.



- 1) Open the paper cover and remove the paper, if present.
- 2) Clean the printhead (A) using the cloth or cotton swab soaked in alcohol for medical.
- 3) Using the cloth or cotton swab soaked in alcohol for medical, remove the paper dust from the black mark sensor (B).
(Sensor could be located in the middle or on left or on right)
- 4) Do not use the printer for one to two minutes after cleaning until the alcohol for medical has completely evaporated and dried.
- 5) Insert the paper and close the paper cover.

⚠ Caution

- Make sure the printer power is turned off before cleaning.
- Wait for two to three minutes after power-off before printhead cleaning because it may be very hot.
- Do not touch the heating region of the printhead with your hand while cleaning it.
- The printhead may be damaged by static electricity.
- Avoid scratching the printhead.
- Clean the printhead periodically if linerless paper is used. Recommended cleaning period is after consuming twenty rolls of linerless paper (100 meters), or approximately once a week. Print quality may be degraded or printhead life may be shortened if it is not cleaned periodically.

⚠ Warning

- Use only the linerless paper that is provided by BIXOLON. Use of other paper voids product warranty.

8. Appendix

8-1 Specifications

Item		Description	
		SPP-R410	SPP-L410
Printing	Printing Method	Thermal printing	
	Print Speed	Receipt paper: 90 mm/sec Linerless paper: 60 mm/sec	Label paper: 102 mm/sec (4 ips) Linerless paper: 76 mm/sec (3 ips)
	Resolution	203 dpi	
	Paper supply	Easy paper loading	
	Font	A (12 x 24) B (9 x 17) C (9 x 24)	10 SLCS Resident Bitmap Fonts One SLCS Resident Scalable Font 16 BPL-Z™ Resident Bitmap Fonts One BPL-Z™ Resident Scalable Font 8 BPL-C™ Resident Bitmap Fonts 23 Code Page Unicode Supported (UTF-8, UTF-16LE, UTF-16BE)
	Barcode	1D: UPC-A, UPC-E, Code 39, Code 93, Code 128, EAN-8, EAN-13, ITF, Codabar 2 D: PDF417, Data Matrix, MaxiCode, QR Code, GS1 DataBar, Aztec Code	1D: Codabar, Code 11, Code 39, Code 93, Code 128, EAN-13, EAN- 8, Industrial 2-of-5, Interleaved 2-of-5, Logmars, MSI, Plessey, Postnet, GS1 DataBar (RSS-14), Standard 2-of-5, UPC/EAN extensions, UPC-A, UPC-E, IMB 2D: Aztec, Codablock, Code 49, Data Matrix, MaxiCode, MicroPDF417, PDF417, QR Code, TLC 39
	Emulation	BXL/POS	SLCS, BPL-Z™, BPL-C™
	Sensor	Paper End Sensor, Paper Cover Open, Black Mark Sensor (Optional)	Gap Sensor, Paper Cover Open, Black Mark Sensor
Cutter Type	Tear-bar		
Paper	Paper Type	Thermal Paper	
	Outer Diameter of Paper Roll	Receipt Paper: Max. Ø57 mm (2.24") Label Paper: Max. Ø56 mm (2.20") Linerless Paper: Max. Ø56 mm (2.20")	
	Width	111.5 ± 0.5 mm (4.39" ± 0.02")	
	Thickness	Receipt Paper: 0.07 ± 0.005 mm Label Paper: 0.07 ~ 0.15 mm Linerless Paper: 0.08 ± 0.01 mm	
Reliability	Printer	Receipt Paper: 50 km Label Paper: 25 km Linerless Paper: 10 km	
	Battery	Rechargeable up to 500 times.	
Communications	Interface	USB, Serial, Bluetooth 4.1(Classic/LE), Wireless LAN 802.11 a/b/g/n	
Battery Charger	Input	Voltage: 100 ~ 240 VAC Current: 0.5A (Max. at 110VA)	
	Output	Voltage: 8.4 VDC Current: 0.8A * Charging current and charging time may depend on the type(option) of charger.	

Battery	Type	Lithium-ion	
	Output	Voltage: 7.4 VDC (Available 6.8 ~ 8.4VDC) Capacity: 2600 mAh	
	Charging time	Within four hours	
Usage Conditions	Temperature	Printer: -15~50°C (5~122°F) Battery: 0~40°C (32~104°F) Battery discharge: -20~60°C (-4~140°F)	
	Humidity	Printer: 10~80% RH (No condensation) Battery: 20~70% RH (No condensation, refer to the temperature conditions on page 8)	
Physical Characteristics	Dimensions	143 mm × 138 mm × 66 mm (5.63 inch × 5.43 inch × 2.60 inch)	
	Weight	Printer: 440g (0.97 lbs) Printer + Battery: 540g (1.19 lbs) Printer + Battery + Paper: 600g (1.32 lbs) Package: Approx. 1100g (2.43 lbs)	Printer:440g (0.97 lbs) Printer + Battery: 540g (1.19 lbs) Package: Approx. 1100g (2.43 lbs)
Accessories	Basic items	Battery Pack, Battery Charger, Belt Clip, Paper, CD, Power Cord, Installation Guide	Battery Pack, Battery Charger, Belt Clip, CD, Power Cord, Installation Guide
	Optional items	Belt Strap, Vehicle Charger, Interface Cable, Cleaning Pen, Single Battery Cradle, Quad Battery Charger, Wall Mount(for Quad Battery Charger)	

8-2 Certification

1) WEEE (Waste Electrical and Electric Equipment)



This mark shown on the product or its literature indicates that the corresponding item should not be discarded at the end of its working life with other household waste. To prevent possible harm to the environment or human health from uncontrolled waste disposal, please separate marked items from other types of waste and recycle them responsibly to promote the sustained reuse of material resources. Household users should contact either the retailer where they purchased this product, or their local government office for details on where and how they can conduct environmentally safe recycling of such items. Commercial users should contact their suppliers and check the terms and conditions of purchase contracts. This product should not be combined with other commercial waste for disposal.

2) Rating Label Symbol Information



DC (Direct current)

- 3) This equipment is for indoor use and all of the communication wiring is limited to the inside of the building.**
- 4) The switch is the disconnecting device. Turn off switch from any hazard.**
- 5) The following Bluetooth mark and Declaration ID D029148 is only applicable to models with the Bluetooth SIG qualification.**
- 6) Instructions for the correct selection of a suitable Listed Class 2 Power Battery Charger (Adaptor) including “This product is intended to be supplied by a Listed Battery Charger (Adaptor) marked “Class 2” and rated output 8.4 V DC, 0.8 A.”**



 Warning

Lithium-ion Battery pack

<Warning> The battery has the potential risk of overheating, fire and/or explosion. To avoid such risks, observe the following instructions:

- A visibly swollen battery may be dangerous. Contact BIXOLON or your local dealer.
- Only use an eligible charger.
- Keep away from open flames. (Do not place in a microwave.)
- Do not leave the battery pack inside a vehicle in summertime.
- Do not store or use in a hot and humid place like a sauna with sleeping rooms.
- Do not place the battery pack on a quilt, an electric blanket or a carpet for a long time.
- Do not store the battery pack switched on in an enclosed place for a long time.
- Do not allow the battery port to touch metal items, such as necklace, coin, key or clock etc.
- Use the lithium secondary cell guaranteed by mobile phone manufacturer or BIXOLON.
- Do not disassemble, compress or pierce the battery pack.
- Do not drop the battery pack from a high place or subject it to strong shock.
- Do not expose the battery to high temperatures over 60oC.
- Do not expose to humidity.

Disposal Directions

- Do not dispose of used battery packs carelessly.
- Do not burn or throw in a fire to dispose of the battery pack.
There is a risk of fire and/or explosion.
- Dispose of battery packs according to the methods defined by your country or region.

Recommendation for Charging

- Charge your battery pack according to the instruction manual to avoid risks of fire or explosion.

FCC compliance Information

This device complies with Part 15 FCC Rules. Operation is subject to the following two conditions: (1) This device may not cause harmful interference, and (2) This device must accept any interference received, including interference that may cause undesired operation.

Information to the User

NOTE: This equipment has been tested and found to comply with the limits for a Class B digital device, pursuant to Part 15 of the FCC Rules.

These limits are designed to provide reasonable protection against harmful interference in a residential installation.

This equipment generates, uses and may radiate radio frequency energy and, if not installed and used in accordance with the instructions, may cause harmful interference to radio communications. However, there is no guarantee that interference will not occur in a particular installation. If this equipment does cause harmful interference to radio or television reception, which can be determined by turning the equipment off and on, the user is encouraged to try to correct the interference by one or more of the following measures:

- Reorient or relocate the receiving antenna.
- Increase the separation between the equipment and receiver.
- Connect the equipment to an outlet different from that to which the receiver is connected.
- Consult the dealer or an experienced radio/TV technician for help.

WARNING: Exposure to Radio Frequency radiation. To conform to FCC RF exposure requirements this device shall be used in accordance with the operating conditions and instructions listed in this manual. Note that there are several radio options available with this printer. Additional regulatory information is contained in later sections devoted to each radio individually.

8-3 Label Types

The labels used on this product are composed of the following materials;

- BIXOLON logo label: PC
- Rating Label: PP
- Other labels: PET